

Newisys®
NA-1400
Network Attached
Storage Device

Quick Start Guide

January 2006
Part Number: S05319
Revision A-02

January 2006

Copyright Notice

© 2001–2006 Newisys®, Inc. All rights reserved.

Newisys® Inc. has made every effort to ensure that the information contained in this document is accurate and reliable, but assumes no responsibility for errors or omissions. Information in this document is subject to change without notice. Companies, names, and data used in examples herein are fictitious, unless noted.

This document contains copyrighted and proprietary information, which is protected by United States copyright laws and international treaty provisions.

No part of the document may be reproduced or transmitted, in any form or by any means, electronic or mechanical, for any purpose, without express written permission from Newisys® Inc.

Trademark Acknowledgments

Newisys® and its logo are trademarks of Newisys®, Inc. Newisys® is a Sanmina-SCI company. All other trademarks are the properties of their respective owners.

Third Party Notices

ApplianceView™ is a trademark of ApplianceWare, Inc.

Intel® xScale® is a registered trademark of Intel Corporation.

Java Development Kit and JDK are trademarks or registered trademarks of Sun Microsystems, Inc.

Linux® is a registered trademark of Linus Torvalds.

Microsoft® and Windows® are trademarks or registered trademarks of Microsoft Corporation

Mozilla™ and Firefox™ are trademarks or registered trademarks of Mozilla Corporation.

RedBoot™ is a trademark of Red Hat, Inc.

Open Source Components

Certain portions of the software included with the system are licensed under the terms of the most recent version of the GNU General Public License (GPL) and the GNU Lesser General Public License (LGPL), as published by the Free Software Foundation. If you desire the source code for these components, you may access them on the support Web site or request physical media (CD-ROM) through customer support. The media will be provided in exchange for a handling fee in keeping with the terms of the GPL and LGPL. The text of the GPL is available at <http://www.gnu.org/licenses/gpl.txt> and the text of the LGPL is available at <http://www.gnu.org/licenses/lgpl.txt>.

Contacting Customer Support

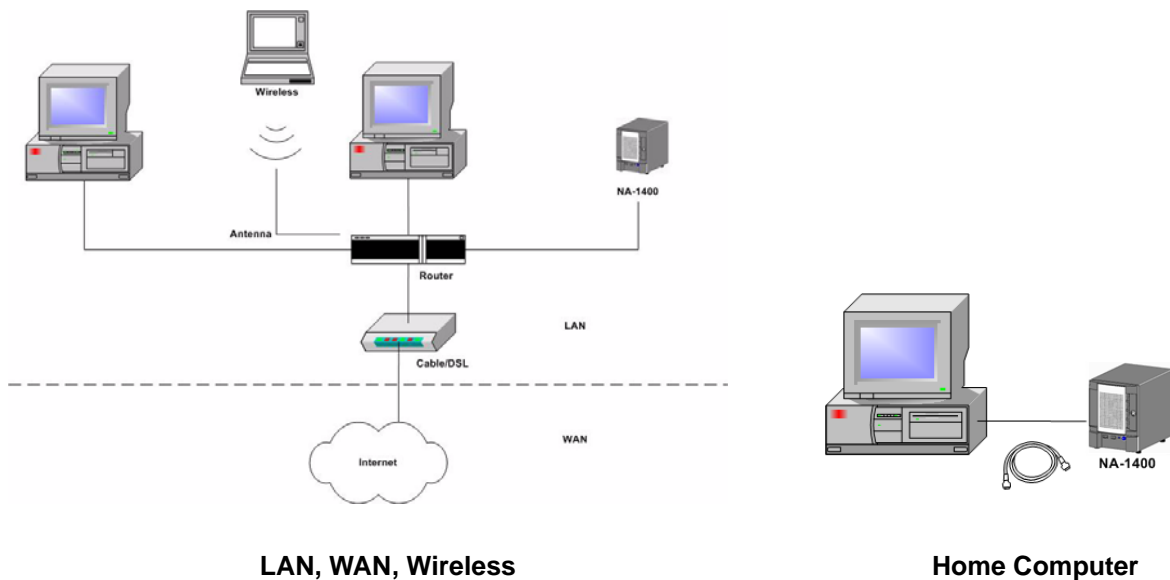
If you have questions, concerns, or need assistance, see the Technical Support contact information provided by your system supplier.

Before you Begin

See <http://www.newisys.com/products/na-1400.html> for additional documentation.

- Install near the socket-outlet you intend to use.
- Do not place cables across foot traffic areas or under heavy objects.
- Install on a smooth, uncarpeted surface, so that the cooling vents are not blocked.
- Install away from heat sources, food, and liquids.
- Use USB ports with mass storage devices, such as “memory sticks,” only. To store media from cameras and similar devices, first download media to your computer, then store the media in the NA-1400.
- Always power down the NA-1400 before you unplug it.
- The power cord plug is the unit's power disconnection device. To disconnect, unplug the power cord from the wall, then unplug it from the NA-1400.
- The NA-1400 has a safety fuse. If the fuse trips, return the unit to your vendor for repair. Do not attempt to replace the fuse.
- The maximum operating ambient temperature is 40° C.
- Remove the keys from the bottom of the unit.

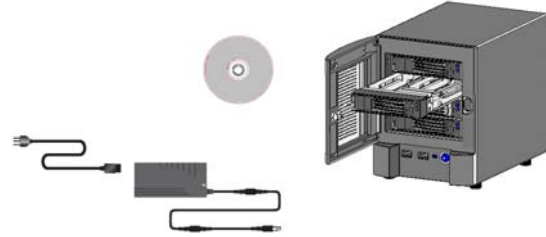
Setup Options



Components

Packaged components are pictured on the right. They are:

- One NA-1400 unit.
- Four hard disk drive carriers.
- One external power supply with an attached connector cord.
- One power cord. (Units ship without power cords in some countries.)
- One Discovery CD.



In addition to these items, you need:

- Hard disk drives (1, 2, 3, or 4).
- An Ethernet cable.
- Microsoft Internet Explorer 5.0 (or later) OR Mozilla Firefox 1.0 (or later).

Install Hard Disk Drives

1. Open the front door of the unit and remove the HDD Carrier.
 - a. Squeeze the release latch and carefully swing the arm to the left, as far as possible, to pull the HDD carrier away from the connector.
 - b. With both hands, grasp the HDD carrier and carefully pull it from the drive bay.

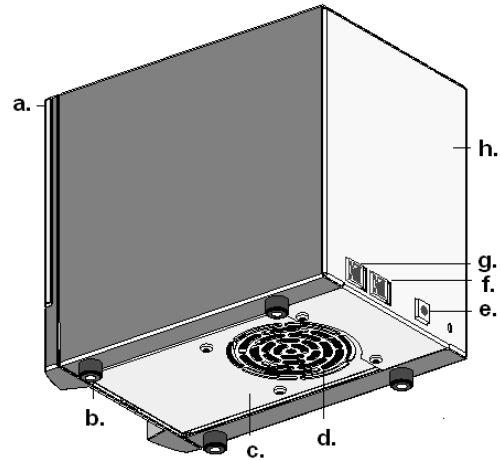
Caution: Do not use the arm as a handle for the removal of the HDD carrier.

2. Remove the small bag of hardware taped to the HDD carrier.
3. Position the HDD in the HDD carrier. Ensure that the IE connector is toward the rear and that the label faces up.
4. Secure the HDD in the HDD carrier with the four side screws provided in the bag of hardware.
5. Install the HDD carrier in the unit.
 - a. Unlatch and open the arm of the HDD carrier as far as possible to the left.
 - b. Grasp the body of the HDD carrier with both hands and carefully guide the connector end of the carrier into the drive bay, until the arm engages and partially closes.
 - c. Push the arm forward and latch it to lock the HDD carrier in place.
6. Repeat the steps above for all HDDs, then close the front door of the unit.

Connect and Power on

1. Locate these parts, identified in the drawing (right):

- a. Edge of front cover
- b. Rubberized base piece
- c. Bottom of NA-1400
- d. Vents for fan
- e. Power input
- f. Ethernet port 0 (Eth0)
- g. Ethernet port 1 (Eth1)
- h. Back of NA-1400



2. Connect the Ethernet cable to port 0 (f.).

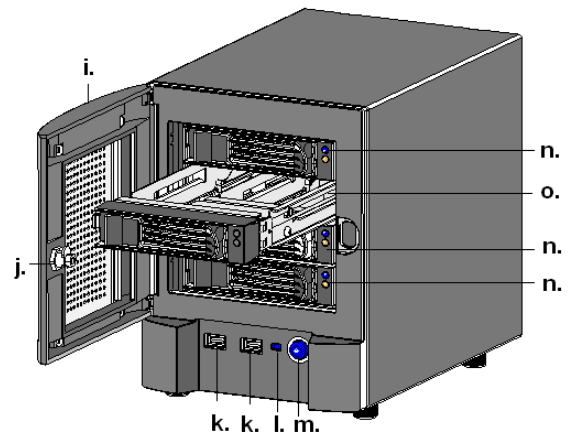
3. Connect the cord of the power supply to the power input socket (e.).

4. Connect the three-inlet end of the separate power cord to the socket on the side of the power supply.

5. Plug the three-pronged end of the power cord into a power strip or other power outlet.

6. Locate the parts that are identified in the drawing (right):

- i. Front cover, open
- j. Front cover lock (Remove the keys that are taped to the bottom of the NA-1400.)
- k. USB port
- l. Status LED
- m. Power switch with integrated power indicator LED
- n. Hard disk drive carriers with blue activity indicator LEDs (top) and amber disk fault LEDs (bottom)
- o. Hard disk drive carrier, partially removed



Caution: Once they are installed, do not remove HDD carriers unless you must replace a faulty disk. Before you remove any HDD carrier, read the *NA-1400 Release Notes* at <http://www.newisys.com/products/na-1400.html>.

7. Press the power switch (m.) only once.

- The status LED illuminates.
- The NA-1400 starts to power on.
- The power switch LED illuminates.

Total time to power on or power off for the first boot can be up to ten minutes. Subsequent power ons can take up to four minutes.

Caution: The power switch has many functions, determined by the number and timing of presses. Be sure to read the *NA-1400 Release Notes* for full descriptions of these functions.

Find the NA-1400.

- Insert the **Discovery CD** in your CD drive.
- Open the contents of the CD-ROM drive, then open the **README** file.
- Follow the instructions for your operating system.



Note: If no DHCP server is available, the NA-1400 reverts to a static IP address:

- For Eth0 it is **https://192.168.0.100**.
 - For Eth1 it is **https://192.168.1.100**.
-
- The hostname is **HOSTxxxxxxxx**, where **xxxxxxxx** represents the last eight characters of the MAC address.



Hostname and IP Address via Discovery CD

Log on and Configure

1. Open your Web browser, click in the **Address** field, and enter the appropriate address.
2. Press **Enter** or click **Go**. The **Logon** window opens.
3. Click in the (case-sensitive) **Logon** field. Type the default password **admin**.
4. Click **OK** to open the **Setup Wizard**.
5. Accept defaults or specify IP address, subnet mask, and default gateway. Click **Next**.
6. Accept defaults or enter a unique system name of up to 15 English characters. Click **Next**.
7. Verify date, time, and time zone. (Use the GMT subtractor for CST or CDT.) Click **Next**.
8. Accept the default password or create a new password (English characters). Click **Finish**.

Note: If you changed the system name, you must reboot the NA-1400 for the change to take effect.

Log off or Shut down

1. Click **Logoff** in the Web interface.
2. To shut down, click **Shutdown** in the Web interface or press the power switch one time.

For details see <http://www.newisys.com/products/NA-1400 User Guide.pdf>.

